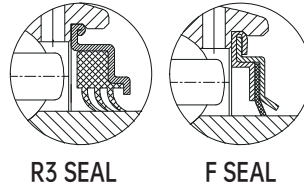
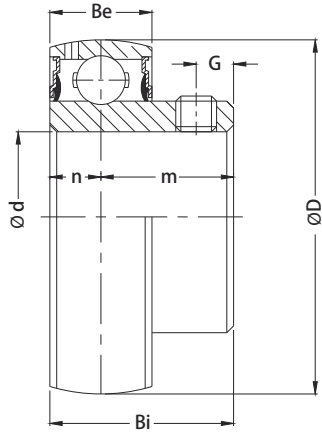


# 外球面轴承

insert bearing





## SB200 M-F

轴径 (d)

(min.) | (mm)

轴承型号

外形尺寸 (mm)

D | Bi | n | m | Be | G

止动螺钉规格  
(mm)  
(UNF)

载荷 (Kgf)

重量

Cr | Cor

轴径 (d)	轴承型号	D	Bi	n	m	Be	G	止动螺钉规格	Cr	Cor	重量
1/2	SB 201 M-F	40,0	22,0	6,0	16,0	12,0	4,0	M5x0,8 1/4-28	970	490	0,10
5/8	SB 201-8 M-F										
11/16	SB 202 M-F										
	SB 202-10 M-F										
	SB 203 M-F										
3/4	SB 203-11 M-F										
	SB 204-12 M-F	47,0	25,0	7,0	18,0	14,0	5,0	M6x1 1/4-28	1310	680	0,15
7/8	SB 204 M-F										
15/16	SB 205-14 M-F	52,0	27,0	7,5	19,5	15,0	5,5	M6x1 1/4-28	1430	800	0,20
1	SB 205-15 M-F										
	SB 205 M-F										
	SB 205-16 M-F										
	SB 206-18 M-F										
1-1/8	SB 206 M-F	62,0	30,0	9,0	21,0	18,0	6,0	M6x1 1/4-28	2000	1140	0,20
1-3/16	SB 206-19 M-F										
1-1/4	SB 206-20 M-F										
	SB 207-20 M-F										
	SB 207-21 M-F										
1-1/4	SB 207-22 M-F	72,0	34,9	9,5	25,4	19,0	6,0	M6x1 1/4-28	2640	1550	0,40
1-5/16	SB 207 M-F										
1-3/8	SB 207-23 M-F										
1-7/16	SB 207-24 M-F										
	SB 207-400 M-F										
1-1/2	SB 208-24 M-F	80,0	39,4	10,5	28,9	21,0	7,0	M8x1 5/16-24	2990	1860	0,50
1-9/16	SB 208-25 M-F										
	SB 208 M-F										
1-5/8	SB 209-26 M-F	85,0	41,5	11,0	30,5	22,0	8,0	M8x1 5/16-24	3350	2120	0,68
1-11/16	SB 209-27 M-F										
1-3/4	SB 209-28 M-F										
	SB 209 M-F										
	SB 210-30 M-F										
1-7/8	SB 210-31 M-F	90,0	43,0	11,0	32,0	22,0	9,0	M10x1,25 3/8-24	3600	2370	0,80
1-15/16	SB 210 M-										
	SB 211-32 M-F										
2	SB 211-34 M-F	100,0	45,0	13,0	32,0	24,0	9,0	M10x1,25 3/8-24	4400	2980	1,00
2-1/8	SB 211 M-F										
2-3/16	SB 211-35 M-F										
	SB 212-36 M-F										
2-1/4	SB 212 M-F	110,0	47,0	13,0	34,0	24,0	10,0	M10x1,25 3/8-24	5350	3350	1,30
2-7/16	SB 212-39 M-F										
	SB 212 M-F										