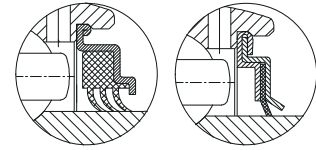
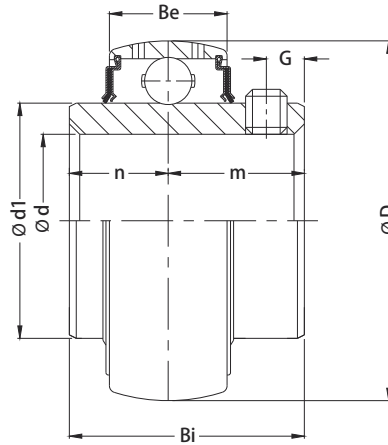


外球面轴承

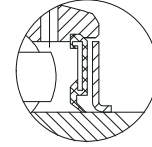
insert bearing





R3 SEAL

F SEAL



TWO TOUCH SEAL

UCX00

轴径 (d)

(min.) | (mm)

轴承型号

外形尺寸 (mm)

D

d1

Bi

n

m

Be

G

止动螺钉规格

(mm)
(UN)

载荷 (Kgf)

Cr

Cor

重量

轴径 (d)	轴承型号	D	d1	Bi	n	m	Be	G	止动螺钉规格	Cr	Cor	重量
15/16 1	UCX 05-15 UCX 05 UCX 05-16	62,0	40,5	38,1	15,9	22,2	19,0	5,0	M6x1 1/4-28	2000	1140	0,35
1-3/16	UCX 06 UCX 06-19	72,0	48,0	42,9	17,5	25,4	20,0	6,0	M8x1 5/16-24	2640	1550	0,55
1-7/16	UCX 07 UCX 07-23	80,0	53,0	49,2	19,0	30,2	21,0	8,0	M8x1 5/16-24	2990	1860	0,75
1-1/2	UCX 08-24 UCX 08	85,0	57,0	49,2	19,0	30,2	22,0	8,0	M8x1 5/16-24	3350	2120	0,85
1-11/16 1-3/4	UCX 09-27 UCX 09-28 UCX 09	90,0	62,0	51,6	19,0	32,6	23,0	9,0	M10x1,25 3/8-24	3600	2370	0,90
1-15/16	UCX 10-31 UCX 10	100,0	69,0	55,6	22,2	33,4	24,0	9,0	M10x1,25 3/8-24	4400	2980	1,25
2-3/16	UCX 11 UCX 11-35	110,0	75,0	65,1	25,4	39,7	26,0	10,0	M10x1,25 3/8-24	5350	3350	1,70
60	UCX 12	120,0	82,0	65,1	25,4	39,7	27,0	10,0	M12x1,25	5850	4080	1,95
2-7/16 2-1/2	UCX 13-600 UCX 13-39 UCX 13-40 UCX 13	125,0	86,5	74,6	30,2	44,4	29,0	12,0	M12x1,25 7/16-20	6350	4590	2,60
2-11/16	UCX 14-650 UCX 14-43 UCX 14	130,0	91,5	77,8	33,3	44,5	30,0	12,0	M12x1,25 7/16-20	6750	5050	2,75
2-15/16 3	UCX 15-47 UCX 15 UCX 15-48	140,0	98,0	82,6	33,3	49,3	32,0	12,0	M12x1,25 7/16-20	7400	5530	3,10
3-3/16	UCX 16 UCX 16-51	150,0	105,0	85,7	34,1	51,6	34,0	12,0	M12x1,25 7/16-20	8500	6510	3,80
3-7/16	UCX 17 UCX 17-55	160,0	111,0	96,0	39,7	56,3	36,0	12,0	M12x1,25 1/2-20	9750	7300	4,80
90	UCX 18	170,0	118,0	104,0	42,9	61,1	38,0	14,0	M14x1,5	11100	8400	5,50
3-15/16 4	UCX 20 UCX 20-63 UCX 20-64	190,0	130,0	117,5	49,2	68,3	42,0	16,0	M16x1,5 5/8-18	13500	10000	9,05