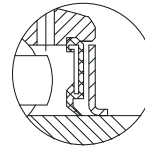
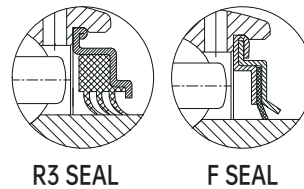
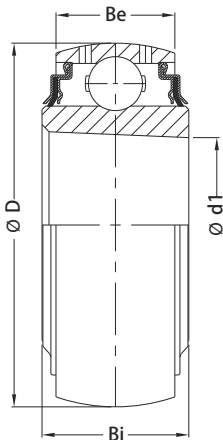
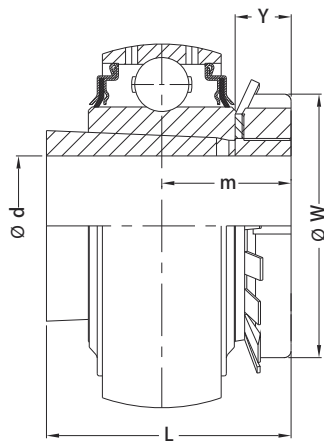


外球面轴承

insert bearing





TWO TOUCH SEAL

UK200

轴径 (d)

(min.) | (mm)

轴承型号

紧定套型号

外形尺寸 (mm)

载荷 (Kgf)

重量

D | Bi | Be | L | m | W | d1 | Y

Cr | Cor

轴径 (d)	轴径 (mm)	轴承型号	紧定套型号	外形尺寸 (mm)								载荷 (Kgf)		重量
				D	Bi	Be	L	m	W	d1	Y	Cr	Cor	
3/4	20	UK 205	HE2305 H2305	52,0	21,0	17,0	35,0	18,5	38,0	25,0	8,0	1430	800	0,25
7/8 15/16 1	25	UK 206	HS2306 HA2306 H2306 HE2306	62,0	25,0	19,0	38,0	20,5	45,0	30,0	8,0	2000	1140	0,40
1-1/8 1-3/16	30	UK 207	HS2307 H2307 HA2307	72,0	27,0	20,0	43,0	22,5	52,0	35,0	9,0	2640	1550	0,55
1-1/4 1-5/16 1-3/8	35	UK 208	HE2308 HA2308 HS2308 H2308	80,0	29,0	21,0	46,0	24,5	58,0	40,0	10,0	2990	1860	0,70
1-7/16 1-1/2 1-5/8	40	UK 209	HA2309 HE2309 H2309 HS2309	85,0	30,0	22,0	50,0	26,0	65,0	45,0	11,0	3350	2120	0,75
1-11/16 1-3/4	45	UK 210	HA2310 HE2310 H2310	90,0	31,0	23,0	55,0	27,5	70,0	50,0	12,0	3600	2370	0,90
1-7/8 1-15/16 2	50	UK 211	HS2311 HA2311 H2311 HE2311	100,0	33,0	25,0	59,0	28,5	75,0	55,0	12,0	4400	2980	1,15
2-1/8	55	UK 212	HS2312 H2312	110,0	36,0	27,0	62,0	31,0	80,0	60,0	13,0	5350	3350	1,45
2-3/16 2-1/4 2-3/8	60	UK 213	HA2313 HE2313 H2313 HS2313	120,0	36,0	28,0	65,0	32,0	85,0	65,0	14,0	5850	4080	1,80
2-1/2	65	UK 215	HE2315 H2315	130,0	41,0	30,0	73,0	35,5	98,0	75,0	15,0	6750	5050	2,60
2-3/4	70	UK 216	HE2316 H2316	140,0	44,0	33,0	78,0	39,0	105,0	80,0	17,0	7400	5530	3,30
3	75	UK 217	H2317 HE2317	150,0	44,0	35,0	82,0	40,0	110,0	85,0	18,0	8500	6510	3,90
	80	UK 218	H2318	160,0	48,0	37,0	86,0	42,0	120,0	90,0	18,0	9750	7300	4,70