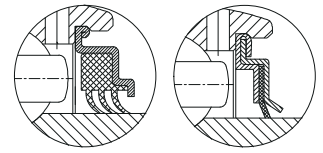
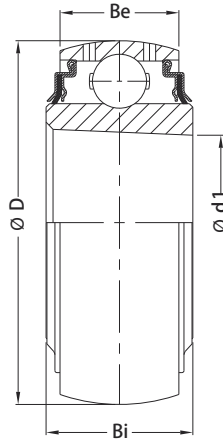
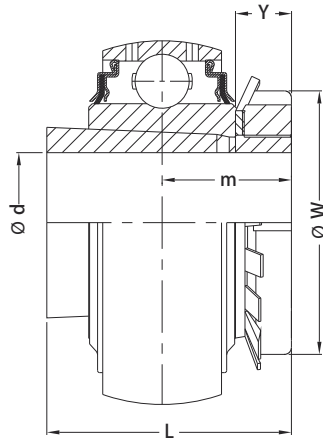


# 外球面轴承

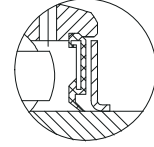
insert bearing





R3 SEAL

F SEAL



TWO TOUCH SEAL

## UK300

轴径 (d)

(min.) | (mm)

轴承型号

紧定套型号

外形尺寸 (mm)

载荷 (Kgf)

重量

D

Bi

Be

L

m

W

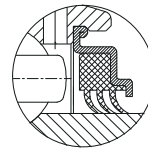
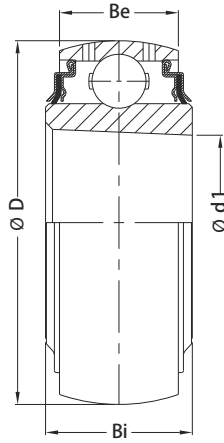
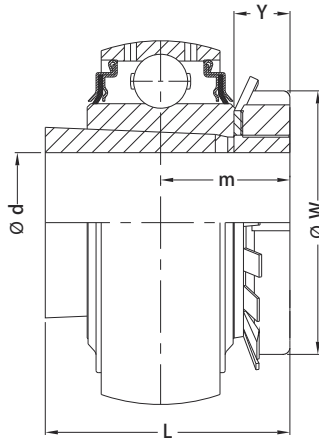
d1

Y

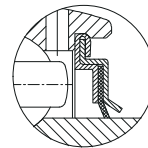
Cr

Cor

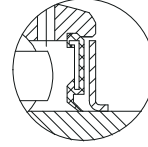
轴径 (d)	轴径 (d)	轴承型号	紧定套型号	D	Bi	Be	L	m	W	d1	Y	Cr	Cor	重量
3/4	20	UK 305	HE2305 H2305	62,0	27,0	21,0	35,0	21,5	38,0	25,0	8,0	2280	1170	0,40
7/8 15/16	25	UK 306	HS2306	72,0	30,0	24,0	38,0	23,0	45,0	30,0	8,0	2760	1550	0,45
1			HA2306 H2306 HE2306											
1-1/8 1-3/16	30	UK 307	HS2307 H2307 HA2307	80,0	33,0	25,0	43,0	22,5	52,0	35,0	9,0	3420	1960	0,75
1-1/4 1-5/16 1-3/8	35	UK 308	HE2308	90,0	35,0	28,0	46,0	27,5	58,0	40,0	10,0	4140	2450	0,80
1-1/4 1-5/16 1-3/8			HA2308 HS2308 H2308											
1-7/16 1-1/2 1-5/8	40	UK 309	HA2309 HE2309 H2309 HS2309	100,0	38,0	30,0	50,0	30,0	65,0	45,0	11,0	5410	3250	1,20
1-11/16 1-3/4	45	UK 310	HA2310 HE2310 H2310	110,0	40,0	32,0	55,0	32,0	70,0	50,0	12,0	6300	3860	1,35
1-7/8 1-15/16	50	UK 311	HS2311	120,0	43,0	34,0	59,0	33,5	75,0	55,0	12,0	7300	4570	1,80
2			HA2311 H2311 HE2311											
2-1/8	55	UK 312	HS2312 H2312	130,0	47,0	36,0	62,0	36,0	80,0	60,0	13,0	8330	5290	2,05



R3 SEAL



F SEAL



TWO TOUCH SEAL



## UK300

轴径 (d)

(min.) | (mm)

轴承型号

紧定套型号

外形尺寸 (mm)

载荷 (Kgf)

重量

D

Bi

Be

L

m

W

d1

Y

Cr

Cor

轴径 (d)	轴承型号	紧定套型号	D	Bi	Be	L	m	W	d1	Y	Cr	Cor	重量
2-3/16 2-1/4 2-3/8	60 UK 313	HA2313 HE2313 H2313 HS2313	140,0	49,0	38,0	65,0	38,5	85,0	65,0	14,0	9580	6170	2,70
2-1/2	65 UK 315	HE2315 H2315	160,0	55,0	42,0	73,0	42,5	98,0	75,0	15,0	11570	7840	4,00
2-3/4	70 UK 316	HE2316 H2316	170,0	55,0	44,0	78,0	44,5	105,0	80,0	17,0	12540	8830	4,55
3	75 UK 317	H2317 HE2317	180,0	60,0	46,0	82,0	48,0	110,0	85,0	18,0	13530	9850	5,45
	80 UK 318	H2318	190,0	60,0	48,0	86,0	48,0	120,0	90,0	18,0	14590	11020	6,25
3-1/4	85 UK 319	HE2319 H2319	200,0	66,0	50,0	90,0	52,0	125,0	95,0	19,0	15920	12450	8,70
3-1/2	90 UK 320	H2318	215,0	68,0	54,0	97,0	54,0	130,0	100,0	20,0	17510	14290	10,80
4	100 UK 322	HE2320 H2320	240,0	80,0	60,0	105,0	61,0	145,0	110,0	21,0	20900	17000	14,40
	110 UK 324	H2324	260,0	86,0	63,0	112,0	65,0	155,0	120,0	22,0	21100	18800	18,00
	115 UK 326	H2326	280,0	90,0	67,0	121,0	68,0	165,0	130,0	23,0	22900	21400	23,30
	125 UK 328	H2324	300,0	95,0	71,0	131,0	71,5	180,0	140,0	24,0	25300	24600	28,90